



**Mechanical Engineering**  
**Mechanical Design Track**  
**[MDE]**



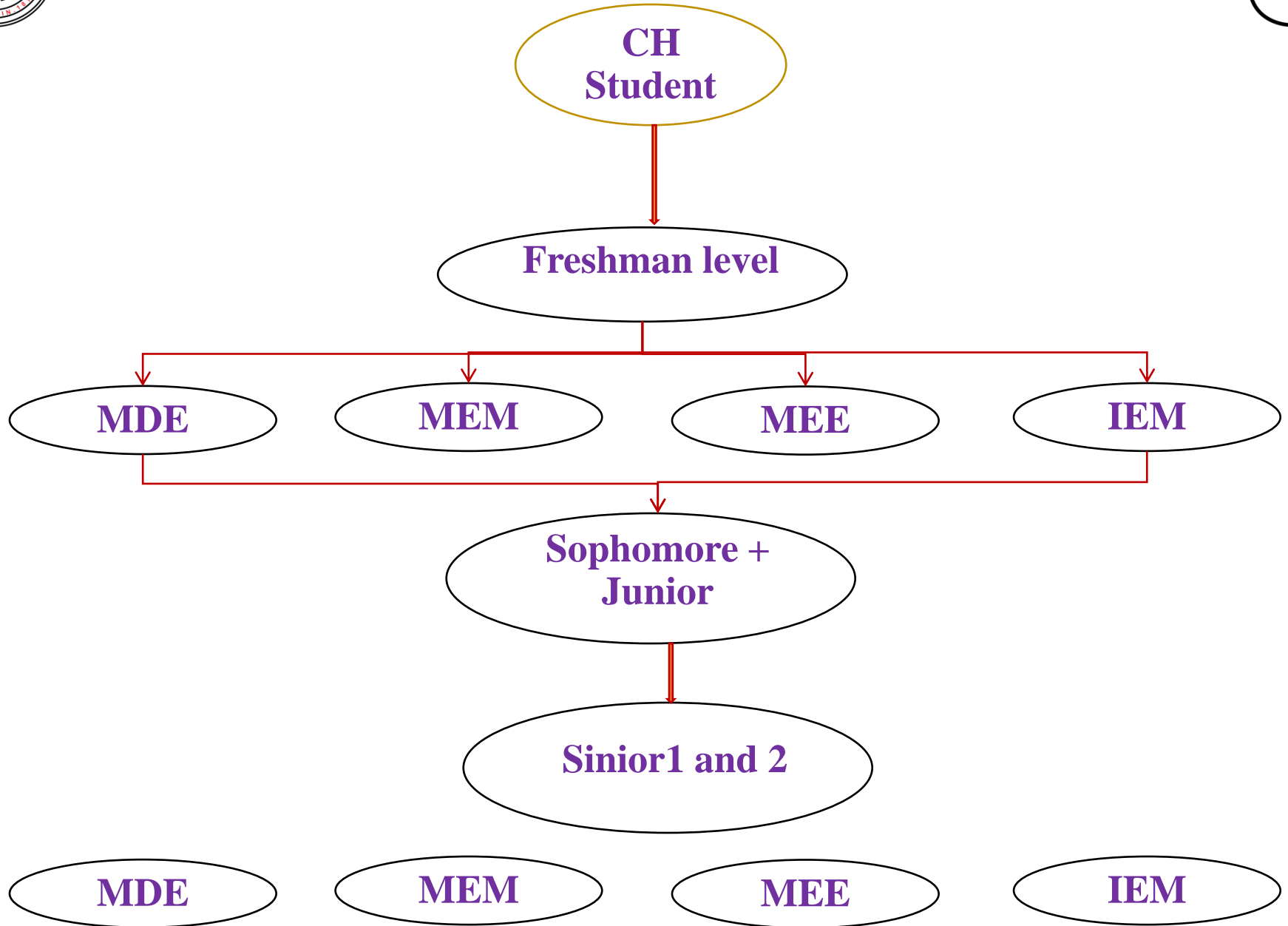
# *COORDINATOR*



Dr. Alaa Elmokadem

Office: Building 14 – 2<sup>nd</sup> floor

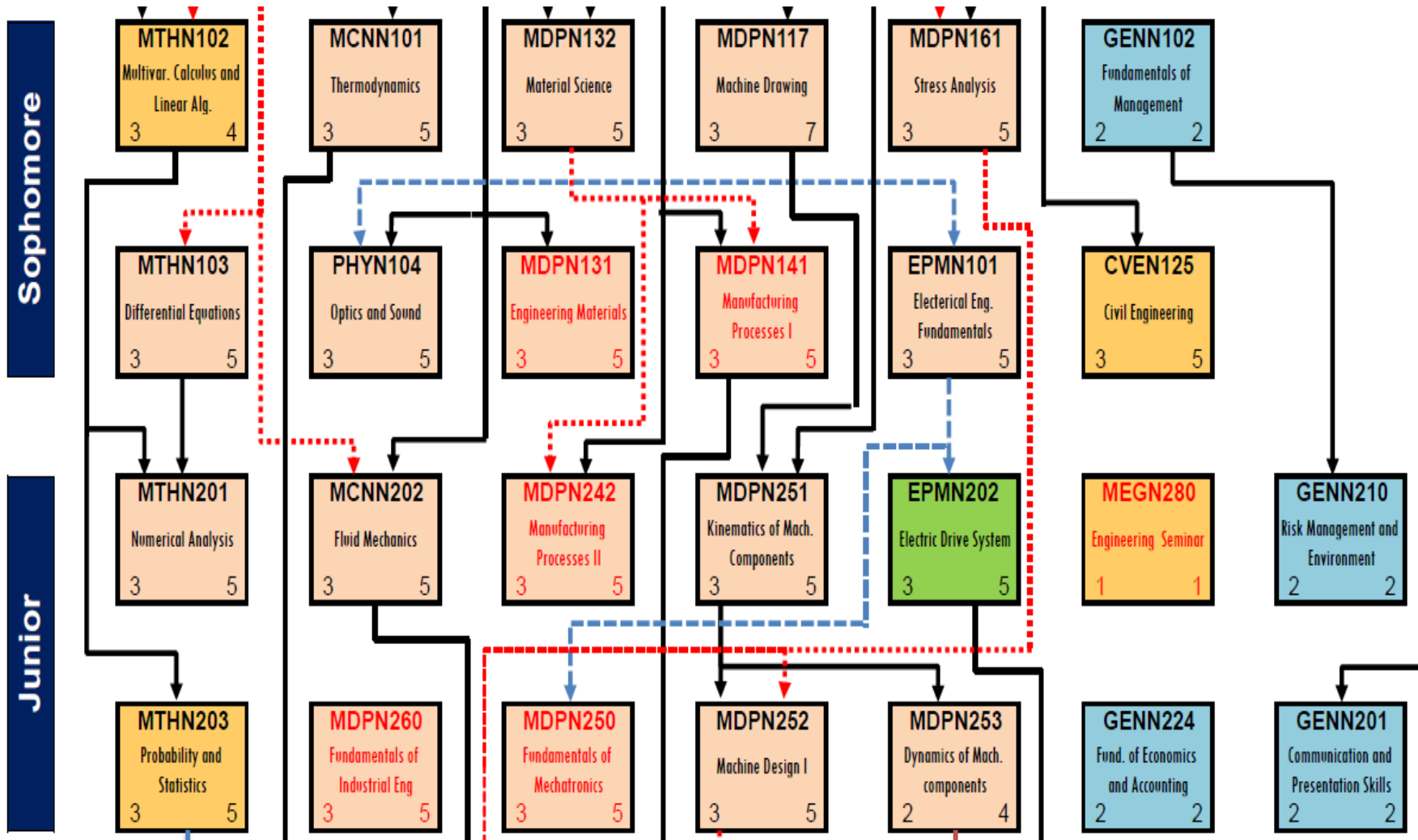
Email: [akadem1956@cu.edu.eg](mailto:akadem1956@cu.edu.eg)





# Mechanical Engineering Tracks

Credit Hours System, Faculty of Engineering, Cairo University





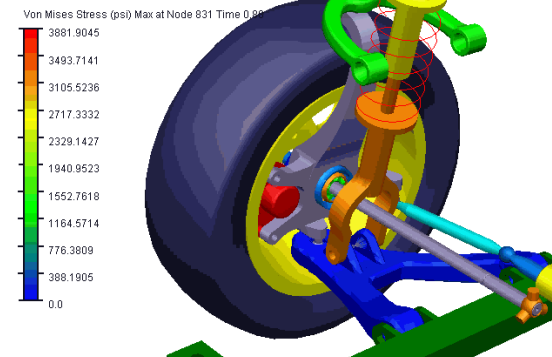
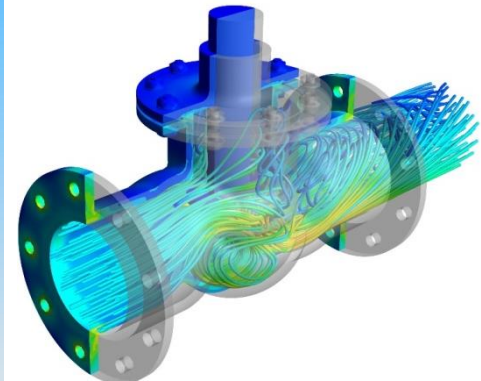
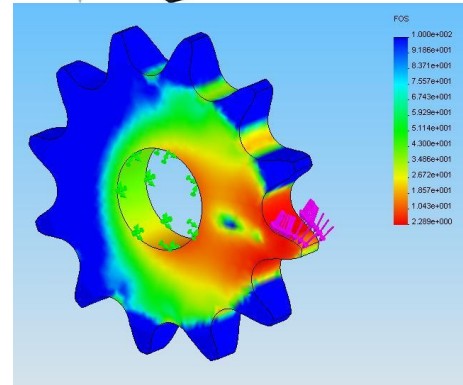
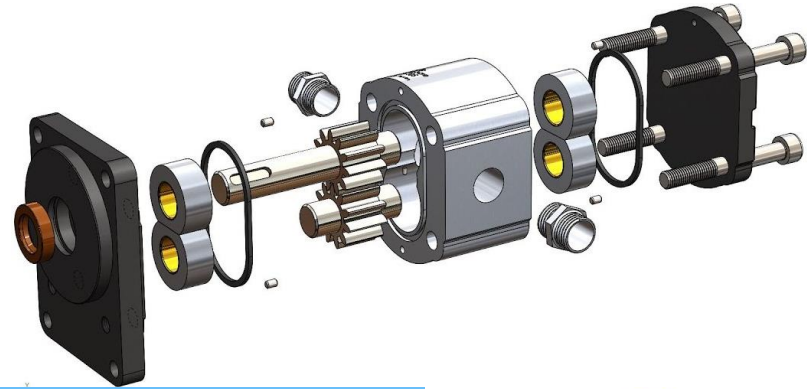
# Mechanical Engineering Tracks

Credit Hours System, Faculty of Engineering, Cairo University



## Mechanical Engineering students take courses in various fields:

- Basic Sciences
- Material Science
- Mechanics of Materials
- Machine Design (CAD)
- Manufacturing Engineering
- Machine Dynamics
- Thermodynamics
- Fluid Mechanics
- Automatic Control
- Electrical Engineering
- Industrial Engineering





# Mechanical Engineering tracks

Credit Hours System, Faculty of Engineering, Cairo University



## Mechanical Design Engineers deal with:

- Design, development and modification of products and machine elements based on needs, functions, problems arising upon usage and competition.
- Provide optimum solutions; based on availability and requirements.
- Maintain mechanical systems and equipment.
- Choosing of certain product, items or machine element among alternatives, classes, grades, capacities.





# Mechanical Engineering tracks

Credit Hours System, Faculty of Engineering, Cairo University



## Mechanical Design Engineers may have one of the following Job titles:

- Product Design Engineer
- Maintenance Engineer
- Project Engineer
- Sales Engineer





# Mechanical Engineering Tracks

Credit Hours System, Faculty of Engineering, Cairo University

---



**Thank You!**